



DEPARTMENT OF REGULATORY AND ECONOMIC RESOURCES (RER)
BOARD AND CODE ADMINISTRATION DIVISION

NOTICE OF ACCEPTANCE (NOA)

MIAMI-DADE COUNTY
PRODUCT CONTROL SECTION
11805 SW 26 Street, Room 208
Miami, Florida 33175-2474
T (786) 315-2590 F (786) 315-2599
www.miamidade.gov/economy

Florida Fasteners Direct, LLC
1435 Rail Head Boulevard
Naples, FL 34110

SCOPE:

This NOA is being issued under the applicable rules and regulations governing the use of construction materials. The documentation submitted has been reviewed and accepted by Miami-Dade County RER-Product Control Section to be used in Miami Dade County and other areas where allowed by the Authority Having Jurisdiction (AHJ).

This NOA shall not be valid after the expiration date stated below. The Miami-Dade County Product Control Section (In Miami Dade County) and/or the AHJ (in areas other than Miami Dade County) reserve the right to have this product or material tested for quality assurance purposes. If this product or material fails to perform in the accepted manner, the manufacturer will incur the expense of such testing and the AHJ may immediately revoke, modify, or suspend the use of such product or material within their jurisdiction. RER reserves the right to revoke this acceptance, if it is determined by Miami-Dade County Product Control Section that this product or material fails to meet the requirements of the applicable building code.

This product is approved as described herein, and has been designed to comply with the Florida Building Code, including the High Velocity Hurricane Zone.

DESCRIPTION: Blue Tap Screw Anchors

APPROVAL DOCUMENT: Drawing No. 15-118, titled "Blue Tap Screw Anchors", sheets 1 through 4 of 4, dated 05/01/2015, prepared by Tilteco, Inc, signed and sealed by Walter A. Tillit Jr., P.E., bearing the Miami-Dade County Product Control revision stamp with the Notice of Acceptance number and expiration date by the Miami-Dade County Product Control Section.

MISSILE IMPACT RATING: None

LABELING: Each box shall bear a permanent label with the manufacturer's name or logo, city, state, model/series and following statement: "Miami-Dade County Product Control Approved or MDCPCA", unless otherwise noted herein.

RENEWAL of this NOA shall be considered after a renewal application has been filed and there has been no change in the applicable building code negatively affecting the performance of this product.

TERMINATION of this NOA will occur after the expiration date or if there has been a revision or change in the materials, use, and/or manufacture of the product or process. Misuse of this NOA as an endorsement of any product, for sales, advertising or any other purposes shall automatically terminate this NOA. Failure to comply with any section of this NOA shall be cause for termination and removal of NOA.

ADVERTISEMENT: The NOA number preceded by the words Miami-Dade County, Florida, and followed by the expiration date may be displayed in advertising literature. If any portion of the NOA is displayed, then it shall be done in its entirety.

INSPECTION: A copy of this entire NOA shall be provided to the user by the manufacturer or its distributors and shall be available for inspection at the job site at the request of the Building Official.

This NOA revises NOA # 14-0930.19 and consists of this page 1, evidence pages E-1 and E-2, as well as approval document mentioned above.

The submitted documentation was reviewed by Carlos M. Utrera, P.E.



[Signature]
07/31/2015

NOA No: 15-0520.04
Expiration Date: October 07, 2019
Approval Date: August 6, 2015
Page 1

NOTICE OF ACCEPTANCE: EVIDENCE SUBMITTED

A. DRAWINGS

1. Drawing No. 15-118, titled "Blue Tap Screw Anchors", sheets 1 through 4 of 4, dated 05/01/2015, prepared by Tilteco, Inc, signed and sealed by Walter A. Tillit Jr., P.E.

B. TESTS "Submitted under NOA # 13-0521.10"

	<u>Test Report No.</u>	<u>Standard</u>	<u>Date</u>	<u>Signature</u>
1.	HETI-12-A580	ASTM E488-10	01/03/13	Rafael E. Droz-Seda, P.E.
2.	HETI-13-A1000	ASTM E488-10	02/08/13	Rafael E. Droz-Seda, P.E.
3.	HETI-12-A592	ASTM E488-10	01/03/13	Rafael E. Droz-Seda, P.E.
4.	HETI-13-T300	ASTM F606-11a	01/09/13	Rafael E. Droz-Seda, P.E.
5.	HETI-12-C110	ASTM C39-12	12/13/12	Rafael E. Droz-Seda, P.E.
6.	HETI-12-C111	ASTM C39-12	12/13/12	Rafael E. Droz-Seda, P.E.
7.	HETI-12-C113	ASTM C39-12	01/09/13	Rafael E. Droz-Seda, P.E.
8.	HETI-13-C305	ASTM C39-12	02/08/13	Rafael E. Droz-Seda, P.E.

"Submitted under NOA # 11-0316.07"

9.	HETI-11-A500	ASTM E488-96	01/13/11	Candido F. Font, P.E.
10.	HETI-10-A630	ASTM E488-96	01/13/11	Candido F. Font, P.E.
11.	HETI-10-A634	ASTM E488-96	01/13/11	Candido F. Font, P.E.
12.	HETI-10-C100B	ASTM C39-09a	10/20/10	Candido F. Font, P.E.
13.	HETI-10-A640	ASTM D1761-06	01/13/11	Candido F. Font, P.E.
14.	HETI-10-A638	ASTM D1761-06	01/13/11	Candido F. Font, P.E.
15.	HETI-11-T106	ASTM F606-10a	02/25/11	Candido F. Font, P.E.

"Submitted under NOA # 10-0104.02"

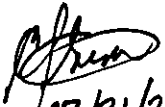
16. Test report on Tension and Shear Capacity per ASTM E 488 and Corrosion Resistance per ASTM G 85 Annex 5 and TAS 114 Appendix E of 3/16" and 1/4" Carbon Steel and 410 Stainless Steel Anchors, prepared by Stork Twin City Testing Corporation, Test Report No. 3299445.1, dated 03/25/2009, signed and sealed by Thomas A. Kolden, P.E.

C. CALCULATIONS "Submitted under NOA # 13-0521.10"

1. Anchors allowable loads prepared by Tilteco, Inc, dated 05/13/2013, signed and sealed by Walter A. Tillit Jr., P.E.

"Submitted under NOA # 11-0316.07"

2. Anchors allowable loads prepared by Tilteco, Inc, dated 01/28/2011, signed and sealed by Walter A. Tillit Jr., P.E.


107/31/2015

Carlos M. Utrera, P.E.
Product Control Examiner
NOA No 15-0520.04
Expiration Date: October 07, 2019
Approval Date: August 6, 2015

NOTICE OF ACCEPTANCE: EVIDENCE SUBMITTED

D. MATERIAL CERTIFICATIONS

1. None.

E. QUALITY ASSURANCE

1. Miami-Dade Department of Regulatory and Economic Resources (RER)

F. STATEMENTS

1. Statement letter of code conformance to the 5th edition (2014) FBC issued by Tilteco, Inc, dated 05/01/2015, signed and sealed by Walter A. Tillit Jr., P.E.

"Submitted under NOA # 13-0521.10"

2. Statement letter of no financial interest issued by Tilteco, Inc, dated 03/19/2013, signed and sealed by Walter A. Tillit Jr., P.E.
3. Distributor agreements dated 09/17/2012 and 04/11/2013.
4. Articles of organization dated 08/15/2012.



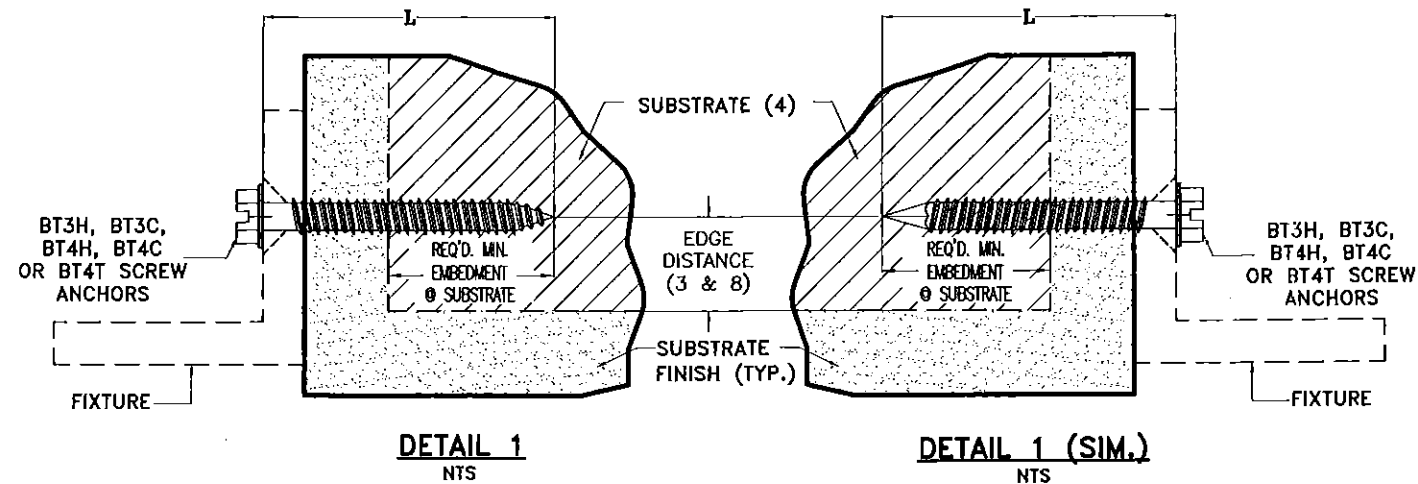
Carlos M. Utrera, P.E.
Product Control Examiner
NOA No 15-0520.04
Expiration Date: October 07, 2019
Approval Date: August 6, 2015

ALLOWABLE LOAD FOR BLUE TAP COATED CARBON STEEL SCREW ANCHOR (3), (6) FOR A GIVEN SUBSTRATE (4)

VALUES ARE VALID FOR ALL MODEL NUMBERS & PREFIXES INDICATED ON SHEETS 3 & 4.

ANCHOR TYPE	EMBEDMENT	E.D.	CONCRETE (f'c=2000 psi Min.)		CONCRETE (f'c=2447 psi Min.)		CONCRETE (f'c=2883 psi Min.)		CONCRETE (f'c=4295 psi Min.)		HOLLOW BLOCK (f'c=1974 psi Min.)		WOOD (G=0.46 Min.)		WOOD (G=0.36 Min.)	
			TENSION	SHEAR	TENSION	SHEAR	TENSION	SHEAR	TENSION	SHEAR	TENSION	SHEAR	TENSION	SHEAR	TENSION	SHEAR
BT3H	1"	2 1/4"	125	291	-	-	-	-	-	-	-	-	-	-	-	-
	1 1/4"		187	291	-	-	-	-	-	-	102	207	-	-	-	-
BT3C	1 1/2"	2 1/4"	228	386	-	-	-	-	-	-	-	-	-	-	-	-
	1"		170	263	-	-	-	-	-	-	-	-	-	-	-	-
BT4H	1 1/4"	2"	-	-	-	-	-	-	-	-	134	118	-	-	-	-
		2 1/2"	214	263	-	-	-	-	-	-	140	258	-	-	-	-
		3 3/4"	-	-	-	-	-	-	-	-	158	304	-	-	-	-
BT4C	1 1/2"	3/4"	-	-	-	-	-	-	-	-	-	257	-	157	-	-
		1"	-	-	-	-	-	-	-	-	-	257	199	157	133	-
BT4T	2.08"	2 1/2"	317	436	-	-	-	-	-	-	-	257	199	157	133	-
		1"	-	-	284	90	284	90	461	148	-	-	-	-	-	-
		1 1/2"	-	-	292	249	-	-	-	-	-	-	-	-	-	-
		2 1/2"	-	-	366	351	409	371	538	453	-	-	-	-	-	-

SYMBOLGY
- : DO NOT USE * SEE GENERAL NOTE 9

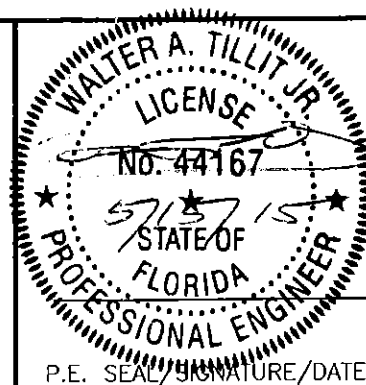


GENERAL NOTES FOR 3/16" & 1/4" CARBON STEEL BLUE TAP SCREW ANCHORS:

- BLUE TAP CARBON STEEL SCREW ANCHORS, SHOWN ON THIS PRODUCT APPROVAL DOCUMENT (P.A.D.) HAVE BEEN VERIFIED FOR COMPLIANCE IN ACCORDANCE WITH THE 2014 (5th EDITION) OF THE FLORIDA BUILDING CODE. PRODUCT MAY BE INSTALLED WITHIN HIGH VELOCITY HURRICANE ZONES (MIAMI-DADE/BROWARD COUNTIES).
- BLUE TAP CARBON STEEL SCREW ANCHORS ARE CORROSION RESISTANT AND MAY BE INSTALLED INTO CONCRETE, CONCRETE BLOCK & WOOD:
 - ANCHORS ARE MADE OF SAE 10B22 (Fu= 171789 psi, Fy= 153683 psi) CASE HARDENED CARBON STEEL, WITH PROPERTIES PER HURRICANE ENGINEERING AND TESTING INC REPORT # HETI 11-T106.
 - CARBON STEEL ANCHORS INCLUDE 1000 HOURS RUSPERT COATING, MEETING ASTM G-85 AND TAS 114, PER STORK TWIN CITY TESTING CORPORATION LABORATORY REPORT #3299445.1.
 - HEAD MARKING: ANCHORS ARE IDENTIFIED WITH "BT" MARK.
- ALLOWABLE LOAD FOR ANCHORS SPECIFIED ON SCHEDULE FOR VARIOUS EDGE DISTANCES ARE BASED ON AVERAGE ULTIMATE LOADS DIVIDED BY A MINIMUM SAFETY FACTOR OF 4.00 (FOR WOOD & CONCRETE), & OF 5.00 (FOR HOLLOW BLOCK), PER HURRICANE ENGINEERING AND TESTING INC REPORTS # HETI-11-A500, HETI-10-A626, HETI-10-A630, HETI-10-A634, HETI-10-A638, HETI-10-A640, HETI-12-A592 (TRIM HEAD) AND AS PER STORK TWIN CITY TESTING CORPORATION LABORATORY REPORT #3299445.1. EDGE DISTANCE SHORTER THAN TABULATED VALUES ARE NOT ACCEPTABLE. EDGE DISTANCES DO NOT INCLUDE SUBSTRATE FINISH (SEE DETAIL 1).
- SUBSTRATES WHERE ANCHOR MAY BE INSTALLED SHALL CONSIST OF:
 - **UNCRACKED CONCRETE:** SHALL CONFORM TO ACI-318 WITH MINIMUM COMPRESSIVE STRENGTH AS NOTED ON SCHEDULE, AS TESTED BY HURRICANE ENGINEERING AND TESTING INC REPORTS # HETI 10-C100B, HETI 10-C104B AND HETI 11-C134.
 - **HOLLOW CONCRETE BLOCK:** SHALL CONFORM TO ASTM C-90 WITH MINIMUM COMPRESSIVE STRENGTH AS NOTED ON SCHEDULE, AS TESTED BY HURRICANE ENGINEERING AND TESTING INC REPORT # HETI 11-C142
 - **WOOD:** SHALL CONFORM TO 2005 NDS, WITH MIN. SPECIFIC GRAVITY G=0.46 OR G=0.36 AS TESTED BY HURRICANE ENGINEERING AND TESTING INC REPORTS # HETI-10-A638 AND HETI-10-A640.
- ANCHOR INSTALLATION SHALL BE STRICTLY MADE IN ACCORDANCE WITH MANUFACTURER'S PUBLISHED INSTALLATION INSTRUCTIONS, AND TECHNICAL/SAFETY DATA. DRILL HOLE WITH 3/32" CARBIDE MASONRY BIT FOR 3/16" Ø SCREW ANCHORS AND WITH 3/16" Ø CARBIDE MASONRY BIT FOR 1/4" Ø ANCHORS. DRILL HOLE 1/4" Ø DEEPER THAN DESIRED EMBEDMENT.
- ALLOWABLE LOADS IN CONCRETE AND HOLLOW BLOCK FOR 3/16" Ø ANCHORS ARE BASED ON A MINIMUM SPACING (C.C.) OF 2 1/4". CLOSER SPACING IS NOT ACCEPTABLE.
- ALLOWABLE LOADS IN CONCRETE AND HOLLOW BLOCK FOR 1/4" Ø ANCHORS ARE BASED ON A MINIMUM SPACING (C.C.) OF 3". CLOSER SPACING IS NOT ACCEPTABLE. ALLOWABLE LOADS IN WOOD FOR 1/4" Ø ANCHORS ARE BASED ON A MINIMUM SPACING (C.C.) OF 2". CLOSER SPACING IS NOT ACCEPTABLE.
- SEE DETAIL 1 FOR EDGE DISTANCE AND EMBEDMENT DEFINITION AND REQUIREMENTS.
- ALL DIMENSIONS ARE SUBJECT TO A MANUFACTURING TOLERANCE AS INDICATED ON SHEETS 3 & 4.

PRODUCT REVISED
as complying with the Florida
Building Code
Acceptance No 15-05 20.04
Expiration Date 10/07/2019
By *[Signature]*
Miami Clinic Product Control

MIAMI-DADE COUNTY



FLORIDA BUILDING CODE (HIGH VELOCITY HURRICANE ZONE)

©2015 TILTECO, INC

TILTECO INC.
TILLIT TESTING & ENGINEERING COMPANY
6355 N.W. 36th St., Ste. 305, VIRGINIA GARDENS, FL 33166
Phone: (305)871-1530 Fax: (305)871-1531
e-mail: tilteco@aol.com
EB-0006719
WALTER A. TILLIT Jr. P.E.
FLORIDA Lic. # 44167

BLUE TAP SCREW ANCHORS

Florida Fasteners Direct

1435 RAIL HEAD BLVD, SUITE 3
NAPLES, FL 34110
PHONE: (239) 325-8383
FAX: (239) 325-8380
www.blue-tap.com

M.L.
DRAWN BY

5/1/15
DATE

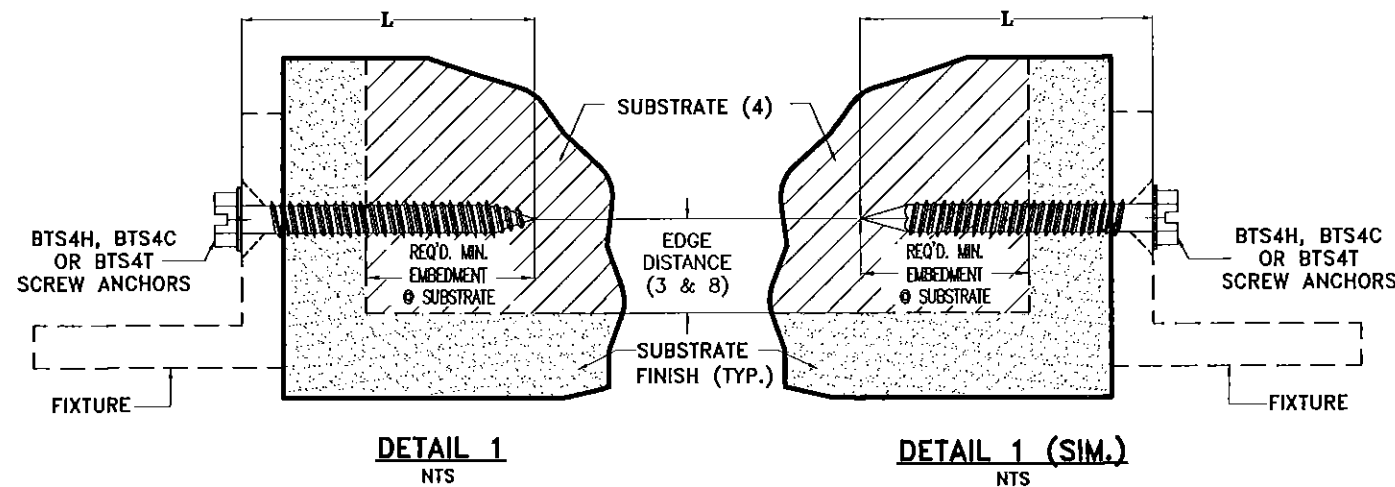
15-118
DRAWING No

SHEET 1 OF 4

REV. No	DESCRIPTION	DATE	REV. No	DESCRIPTION	DATE
1	OLD 13-037	5/1/15	3		
2			4		

ALLOWABLE LOAD FOR BLUE TAP COATED STAINLESS STEEL SCREW ANCHOR (3), (6) FOR A GIVEN SUBSTRATE (4) VALUES ARE VALID FOR ALL MODEL NUMBERS & PREFIXES INDICATED ON SHEET 4.												
ANCHOR TYPE	EMBEDMENT	E.D.	C.C.	CONCRETE (f'c=2170 psi Min.)		CONCRETE (f'c=2890 psi Min.)		CONCRETE (f'c=4900 psi Min.)		GROUTED CONC. BLOCK (f'c=2000 psi Min.)		
				TENSION	SHEAR	TENSION	SHEAR	TENSION	SHEAR	TENSION	SHEAR	
BTS4H	1 1/4"	2"	2 1/2"	-	-	-	-	-	-	122	-	
			5"	-	-	-	-	-	-	206	-	
		2 1/2"	2 1/2"	-	-	-	-	-	-	-	-	-
			3 3/4"	2 1/2"	-	-	-	-	-	-	125	-
BTS4C	2"	2"	4"	-	-	-	-	-	-	286	274	
			2 1/2"	-	-	-	-	-	-	-	-	
BTS4T	2.08"	2"	3"	340	133	425	146	469	159	-	-	
			2"	-	-	-	-	-	-	-	-	
			2 1/2"	3"	357	419	533	494	640	508	-	-
			3 3/4"	3"	-	-	-	-	-	-	-	-

SYMBOLGY
- : DO NOT USE * SEE GENERAL NOTE 8

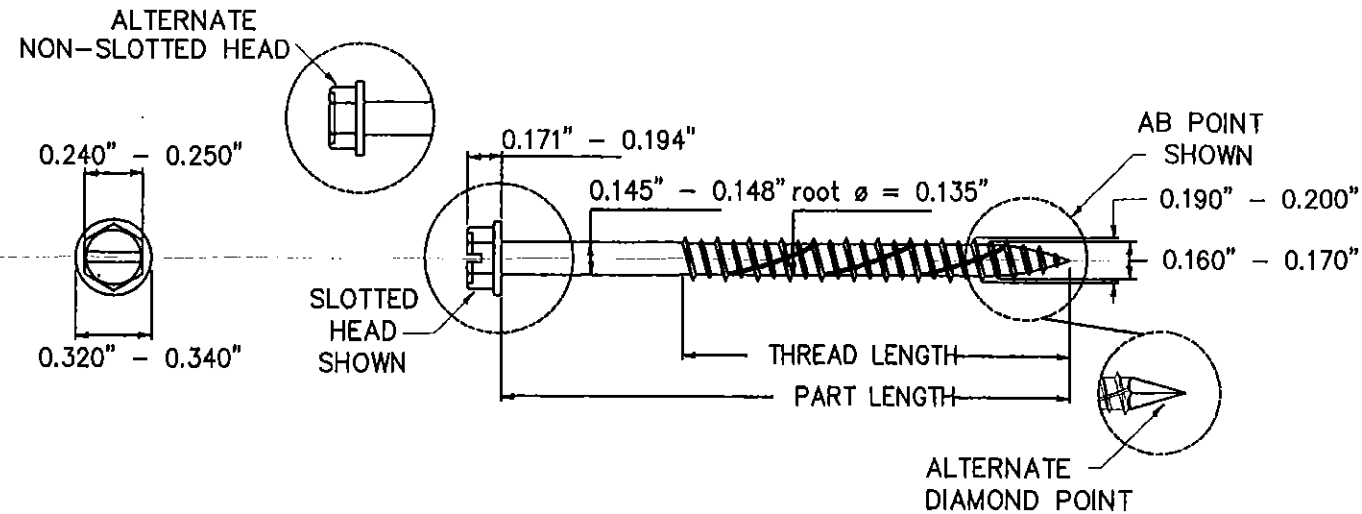


GENERAL NOTES FOR 1/4" STAINLESS STEEL BLUE TAP SCREW ANCHORS:

- BLUE TAP STAINLESS STEEL SCREW ANCHORS, SHOWN ON THIS PRODUCT APPROVAL DOCUMENT (P.A.D.) HAVE BEEN VERIFIED FOR COMPLIANCE IN ACCORDANCE WITH THE 2014 (5th EDITION) OF THE FLORIDA BUILDING CODE. PRODUCT MAY BE INSTALLED WITHIN HIGH VELOCITY HURRICANE ZONES (MIAMI-DADE/BROWARD COUNTIES).
- BLUE TAP STAINLESS STEEL SCREW ANCHORS ARE CORROSION RESISTANT AND MAY BE INSTALLED INTO CONCRETE & GROUTED CONCRETE BLOCK:
 - ANCHORS ARE MADE OF (Fu= 135426 psi) CASE HARDENED AISI 304 SERIES STEEL, WITH PROPERTIES PER HURRICANE ENGINEERING AND TESTING INC REPORT # HETI 13-T300.
 - STAINLESS STEEL ANCHORS INCLUDE 1000 HOURS RUSPERT COATING, MEETING ASTM G-85 AND TAS 114, PER STORK TWIN CITY TESTING CORPORATION LABORATORY REPORT #3299445.1.
 - HEAD MARKING: ANCHORS ARE IDENTIFIED WITH "BTS" MARK.
- ALLOWABLE LOAD FOR ANCHORS SPECIFIED ON SCHEDULE FOR VARIOUS EDGE DISTANCES ARE BASED ON AVERAGE ULTIMATE LOADS DIVIDED BY A MINIMUM SAFETY FACTOR OF 4.00 (FOR CONCRETE), & OF 5.00 (FOR GROUTED CONCRETE BLOCK), PER HURRICANE ENGINEERING AND TESTING INC REPORTS # HETI-13-A1000, HETI-12-A580. EDGE DISTANCE SHORTER THAN TABULATED VALUES ARE NOT ACCEPTABLE. EDGE DISTANCES DO NOT INCLUDE SUBSTRATE FINISH (SEE DETAIL 1).
- SUBSTRATES WHERE ANCHOR MAY BE INSTALLED SHALL CONSIST OF:
 - UNCRACKED CONCRETE: SHALL CONFORM TO ACI-318 WITH MINIMUM COMPRESSIVE STRENGTH AS NOTED ON SCHEDULE, AS TESTED BY HURRICANE ENGINEERING AND TESTING INC REPORTS # HETI 12-C111.
 - GROUTED CONCRETE BLOCK: SHALL CONFORM TO ASTM C-90 WITH MINIMUM COMPRESSIVE STRENGTH AS NOTED ON SCHEDULE, AS TESTED BY HURRICANE ENGINEERING AND TESTING INC REPORTS # HETI 13-A100 & HETI 13-C305.
- ANCHOR INSTALLATION SHALL BE STRICTLY MADE IN ACCORDANCE WITH MANUFACTURER'S PUBLISHED INSTALLATION INSTRUCTIONS, AND TECHNICAL/SAFETY DATA. DRILL HOLE WITH 3/16" CARBIDE MASONRY BIT FOR 1/4" Ø ANCHORS. DRILL HOLE 1/4" DEEPER THAN DESIRED EMBEDMENT.
- ALLOWABLE LOADS IN CONCRETE AND GROUTED CONCRETE BLOCK FOR 1/4" Ø ANCHORS ARE BASED ON A MINIMUM SPACING (C.C.) OF 3" FOR CONCRETE & 2 1/2", 4" OR 5" FOR GROUTED CONCRETE BLOCK. CLOSER SPACING IS NOT ACCEPTABLE.
- SEE DETAIL 1 FOR EDGE DISTANCE AND EMBEDMENT DEFINITION AND REQUIREMENTS.
- ALL DIMENSIONS ARE SUBJECT TO A MANUFACTURING TOLERANCE AS INDICATED ON SHEET 4.

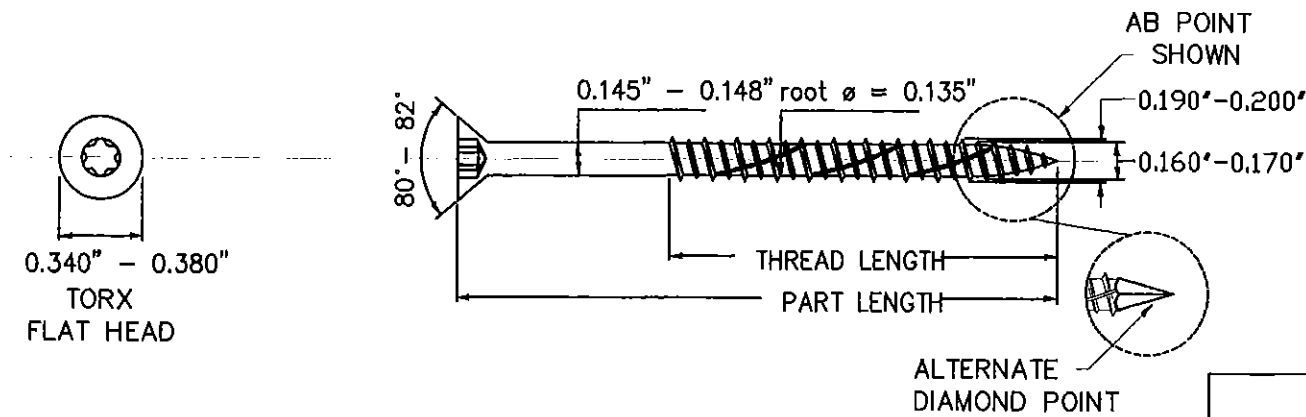
PRODUCT REVISED as complying with the Florida Building Code Acceptance No 15-0520.04 Expiration Date 10/07/2019 By <i>[Signature]</i> Miami Dade Product Control MIAMI-DADE COUNTY		WALTER A. TILLIT JR. LICENSE No. 44167 STATE OF FLORIDA PROFESSIONAL ENGINEER P.E. SEAL/SIGNATURE/DATE		FLORIDA BUILDING CODE (HIGH VELOCITY HURRICANE ZONE) ©2015 TILTECO, INC. TILLIT TESTING & ENGINEERING COMPANY 6355 N.W. 36th St., Ste. 305, VIRGINIA GARDENS, FL 33166 Phone: (305)871-1530, Fax: (305)871-1531 e-mail: tilteco@aol.com EB-0006719 WALTER A. TILLIT Jr. P.E. FLORIDA Lic. # 44167		BLUE TAP SCREW ANCHORS 1435 RAIL HEAD BLVD, SUITE 3 NAPLES, FL 34110 PHONE: (239) 325-8383 FAX: (239) 325-8380 www.blue-tap.com		M.L. DRAWN BY 5/1/15 DATE 15-118 DRAWING No SHEET 2 OF 4
REV. No	DESCRIPTION	DATE	REV. No	DESCRIPTION	DATE			
1	OLD 13-037	5/1/15	3					
2			4					

3/16 (in) DIAMETER HEX HEAD CONCRETE SCREW ANCHOR



PART SPECIFICATIONS				HEAD MARK XY
MODEL	NOMINAL LENGTH	PART LENGTH	THREAD LENGTH	
32	1-1/4"	1.21'-1.31'	full thread	11
45	1-3/4"	1.72'-1.82'	full thread	13
57	2-1/4"	2.20'-2.30'	1.90'-2.05'	21
65	2-1/2"	2.51'-2.61'	1.90'-2.05'	22
70	2-3/4"	2.71'-2.81'	1.90'-2.05'	23
82	3-1/4"	3.17'-3.30'	1.90'-2.05'	31
95	3-3/4"	3.66'-3.82'	1.90'-2.05'	33
100	4"	3.86'-4.02'	1.90'-2.05'	40
125	5"	4.84'-5.00'	1.90'-2.05'	50

3/16 (in) DIAMETER FLAT HEAD CONCRETE SCREW ANCHOR



MODEL NUMBER PREFIXES	
BT3H	= 3/16" Ø CARBON STEEL HEX WASHER HEAD
BT3C	= 3/16" Ø CARBON STEEL FLAT HEAD
Example: BT3H32	
BLUE-TAP CARBON STEEL 3/16" HEX HEAD, MODEL 32	

PREFIX DEFINITIONS
BT= BLUE-TAP
3 = 3/16" Ø (DIAMETER)
H = HEX WASHER HEAD
C = FLAT HEAD

HEAD STYLES								
CARBON STEEL PHILLIPS FLAT HEAD #2 PH.	CARBON STEEL PHILLIPS FLAT HEAD #2 PH.	CARBON STEEL TORX FLAT HEAD T25 TORX	CARBON STEEL SQUARE DRIVE FLAT HEAD #2 SQ.	CARBON STEEL HEX WASHER HEAD 1/4" HEX.	STAINLESS STEEL HEX WASHER HEAD 1/4" HEX.	STAINLESS STEEL TORX FLAT HEAD T25 TORX	STAINLESS STEEL SQUARE DRIVE FLAT HEAD #2 SQ.	

PRODUCT REVISED as complying with the Florida Building Code
 Acceptance No 15-0520.04
 Expiration Date 10/07/2019
 By *[Signature]*
 Miami Trade Product Control

MIAMI-DADE COUNTY

WALTER A. TILLIT JR.
 LICENSE No. 44167
 5/15/15
 STATE OF FLORIDA
 PROFESSIONAL ENGINEER

P.E. SEAL/SIGNATURE/DATE

FLORIDA BUILDING CODE (HIGH VELOCITY HURRICANE ZONE)

©2015 TILTECO, INC

TILTECO INC.
 TILLIT TESTING & ENGINEERING COMPANY
 6355 N.W. 36th St., Ste. 305, VIRGINIA GARDENS, FL 33166
 Phone: (305)871-1530 Fax: (305)871-1531
 e-mail: tilteco@aol.com
 EB-0006719
 WALTER A. TILLIT Jr. P.E.
 FLORIDA Lic. # 44167

BLUE TAP SCREW ANCHORS

Florida Fasteners Direct
 1435 RAIL HEAD BLVD, SUITE 3
 NAPLES, FL 34110
 PHONE: (239) 325-8383
 FAX: (239) 325-8380
 www.blue-tap.com

REV. No	DESCRIPTION	DATE	REV. No	DESCRIPTION	DATE
1	OLD 13-037	5/1/15	3		
2			4		

M.L. DRAWN BY

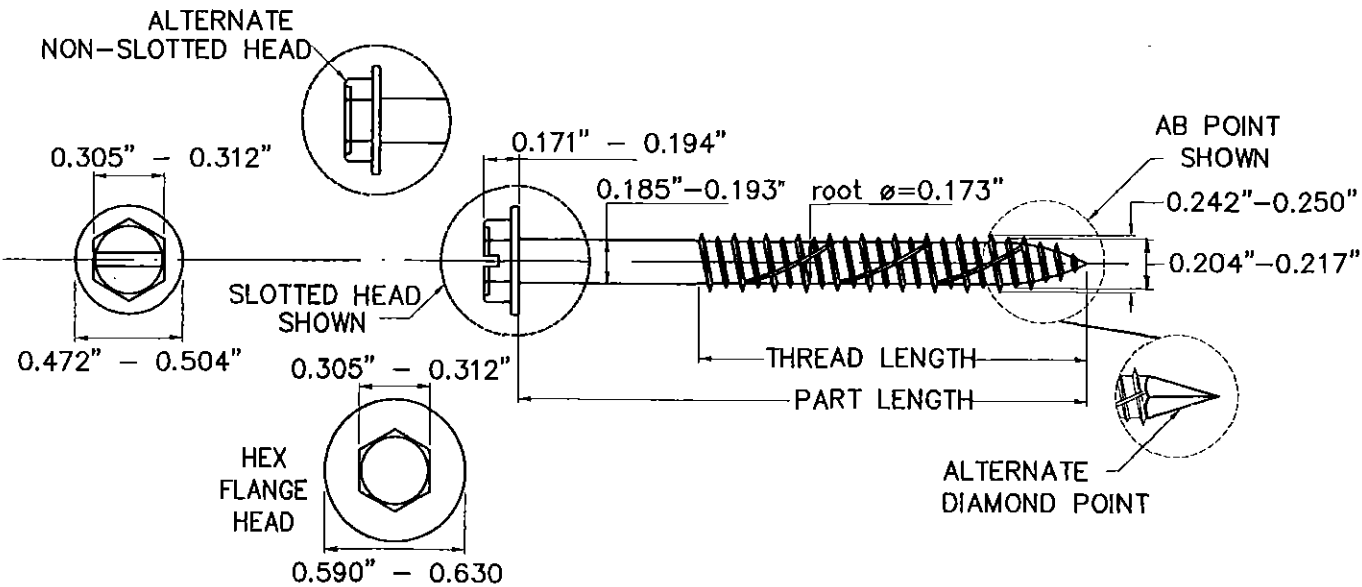
5/1/15 DATE

15-118 DRAWING No

SHEET 3 OF 4

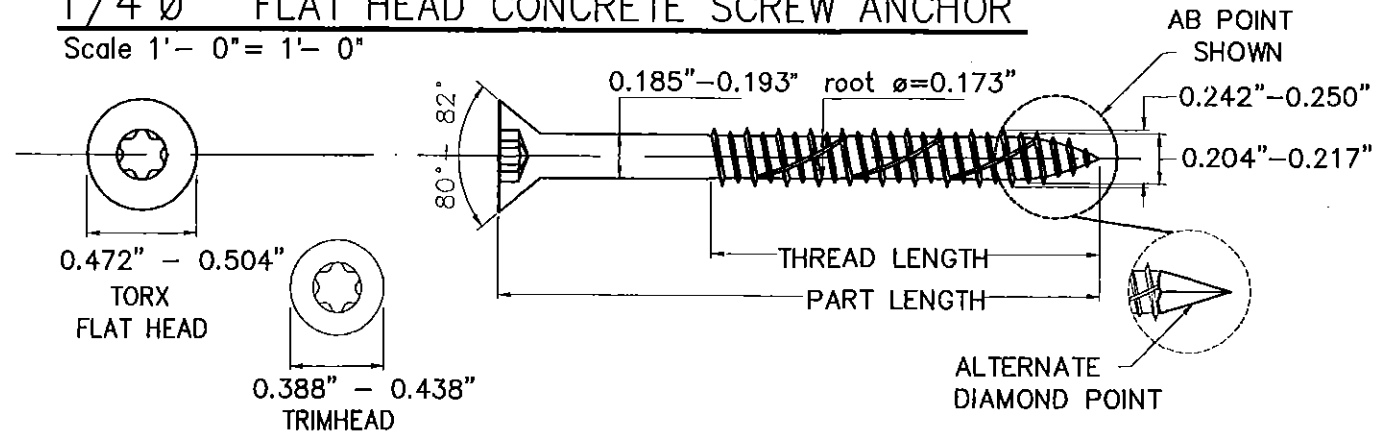
1/4"Ø HEX HEAD CONCRETE SCREW ANCHOR

Scale 1' - 0" = 1' - 0"



1/4"Ø FLAT HEAD CONCRETE SCREW ANCHOR

Scale 1' - 0" = 1' - 0"



PART SPECIFICATIONS				HEAD MARK XY
MODEL	NOMINAL LENGTH	PART LENGTH	THREAD LENGTH	
32	1-1/4"	1.21"-1.31"	full thread	11
45	1-3/4"	1.72"-1.82"	1.58"-1.67"	13
57	2-1/4"	2.20"-2.30"	2.08"-2.14"	21
65	2-1/2"	2.51"-2.61"	2.08"-2.14"	22
70	2-3/4"	2.71"-2.81"	2.08"-2.28"	23
82	3-1/4"	3.17"-3.30"	2.08"-2.28"	31
95	3-3/4"	3.66"-3.82"	2.08"-2.28"	33
100	4"	3.86"-4.02"	2.08"-2.28"	40
125	5"	4.84"-5.00"	2.08"-2.28"	50
150	6"	5.83"-6.06"	2.08"-2.28"	60

MODEL NUMBER PREFIXES	
BT4H=1/4"Ø CARBON STEEL HEX WASHER HEAD	
BT4C=1/4"Ø CARBON STEEL FLAT HEAD	
BT4T=1/4"Ø CARBON STEEL TRIM HEAD	
BTS4H=1/4"Ø STAINLESS STEEL HEX WASHER HEAD	
BTS4C=1/4"Ø STAINLESS STEEL FLAT HEAD	
BTS4T=1/4"Ø STAINLESS STEEL TRIM HEAD	
Example: BTS4H82	
BLUE-TAP STAINLESS STEEL 1/4"HEX HEAD	

PREFIX DEFINITIONS	
BT= BLUE-TAP	C = FLAT HEAD
4 = 1/4"Ø (DIAMETER)	T = TRIM HEAD
H = HEX WASHER HEAD	S = STAINLESS STEEL

HEAD STYLES ON CARBON STEEL							HEAD STYLES ON STAINLESS STEEL				
CARBON STEEL PHILLIPS FLAT HEAD #3 PH.	CARBON STEEL PHILLIPS FLAT HEAD #3 PH.	CARBON STEEL TORX FLAT HEAD T30 TORX	CARBON STEEL SQUARE DRIVE FLAT HEAD #3 SQ.	CARBON STEEL HEX WASHER HEAD 5/16"HEX.	CARBON STEEL HEX FLANGE HEAD 5/16"HEX.	CARBON STEEL HEX FLANGE HEAD 5/16"HEX.	STAINLESS STEEL HEX WASHER HEAD 5/16"HEX.	STAINLESS STEEL TORX FLAT HEAD T30 TORX	STAINLESS STEEL PHILLIPS FLAT HEAD #3 PH.	STAINLESS STEEL PHILLIPS FLAT HEAD #3 PH.	STAINLESS STEEL HEX FLANGE HEAD 5/16"HEX.

PRODUCT REVISED
 as complying with the Florida
 Building Code
 Acceptance No 15-0520-04
 Expiration Date 10/07/2019
 By *[Signature]*
 Material Date Product Control

MIAMI-DADE COUNTY

WALTER A. TILLIT JR.
 LICENSE
 No. 44167
 STATE OF FLORIDA
 PROFESSIONAL ENGINEER

P.E. SEAL/SIGNATURE/DATE

FLORIDA BUILDING CODE (HIGH VELOCITY HURRICANE ZONE)

©2015 TILTECO, INC.

TILTECO INC.
 TILLIT TESTING & ENGINEERING COMPANY
 6355 N.W. 36th St., Ste. 305, VIRGINIA GARDENS, FL 33166
 Phone: (305)871-1530 Fax: (305)871-1531
 e-mail: tilteco@ttilteco.com
 EB-0006719
 WALTER A. TILLIT Jr. P.E.
 FLORIDA Lic. # 44167

BLUE TAP SCREW ANCHORS

Florida Fasteners Direct

1435 RAIL HEAD BLVD, SUITE 3
 NAPLES, FL 34110
 PHONE: (239) 325-8383
 FAX: (239) 325-8360
 www.blue-tap.com

REV. No	DESCRIPTION	DATE	REV. No	DESCRIPTION	DATE
1	OLD 13-037	5/1/15	3		
2			4		

M.L. DRAWN BY

5/1/15 DATE

15-118 DRAWING No

SHEET 4 OF 4